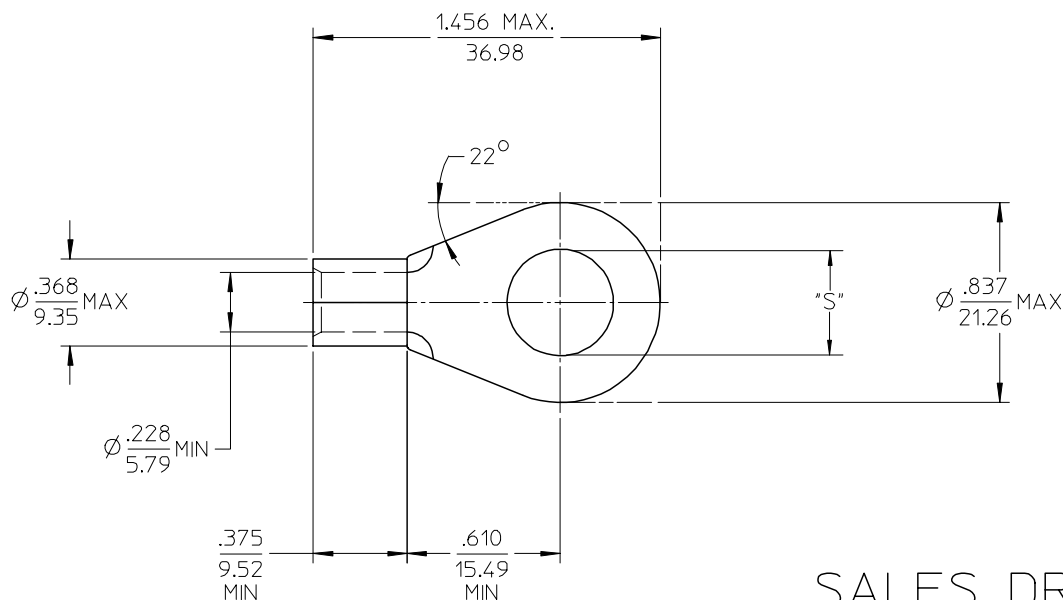
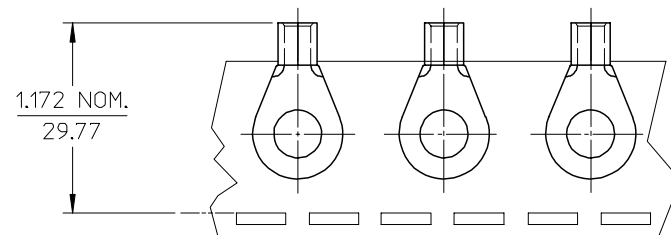


MATERIAL NO. LOOSE PIECE	ENG. NO.	MATERIAL NO. TAPE MOUNTED	ENG. NO.	STUD SIZE	±.003 "S"	STOCK THICKNESS
191930225	E-358-10	-----	-----	10	.198	.057/(1.45) REF ⓓ
191930229	E-358-14	-----	-----	1/4	.265	
191930232	E-358-56	-----	-----	5/16	.328	
191930230	E-358-38	191930231	E-358-38	3/8	.390	
191930234	E-358-76	-----	-----	7/16	.453	
191930226	E-358-12	191930228	E-358-12	1/2	.515	
191930233	E-358-58	-----	-----	5/8	.656	



SALES DRAWING

NOTE(S):

1. MATERIAL: COPPER
2. PLATING: ELECTROPLATE TIN
3. ALL DIMENSIONS IN INCHES/(MM).
4. WIRE SIZE: 6 AWG  
16 MM<sup>2</sup>
5. PART IS ROHS COMPLIANT.

INCREASED MATL THKNS EC NO: ETC2007-0236 DRW: JHLE 2007/01/04 CHKD: JMACNEIL 2007/01/04 APPR: JMACNEIL 2007/01/05	QUALITY SYMBOLS ▽=0 ▽=0	GENERAL TOLERANCES (UNLESS SPECIFIED)		DIMENSION STYLE IN/MM	SCALE 2:1	DESIGN UNITS INCH	THIRD ANGLE PROJECTION		
			mm	INCH	DRAWN BY DLM	DATE 03/07/25	TITLE RING TONGUE TERMINAL VERSAKRIMP SERIES 6 AWG		
		4 PLACES	± ---	± ---	CHECKED BY HEB	DATE 03/07/25	APPROVED BY RWD		
		3 PLACES	± ---	± .005	DATE 03/07/25	MATERIAL NO. SEE CHART			
2 PLACES	± 0.13	± .01	APPROVED BY RWD		DATE 03/07/25	DOCUMENT NO. SD-19193-005			
1 PLACE	± 0.25	± ---	DRAFT WHERE APPLICABLE MUST REMAIN WITHIN DIMENSIONS		ANGULAR ±1/2°		SHEET NO. 1 OF 1		
REV		DESCRIPTION		THIS DRAWING CONTAINS INFORMATION THAT IS PROPRIETARY TO MOLEX INCORPORATED AND SHOULD NOT BE USED WITHOUT WRITTEN PERMISSION					